



2010

An analytical tool for elucidating ion-channel molecular mechanisms from macroscopic current traces

Miguel Fribourg
Mount Sinai School of Medicine

Belen Galocha-Iraguen
Mount Sinai School of Medicine

Fernando Las Heras-Andres
Universidad de Oviedo

Diomedes E. Logothetis
Virginia Commonwealth University, delogothetis@vcu.edu

Vladimir Brezina
Mount Sinai School of Medicine

Follow this and additional works at: http://scholarscompass.vcu.edu/phibis_pubs

© 2010 Fribourg et al; licensee BioMed Central Ltd.

Downloaded from

http://scholarscompass.vcu.edu/phibis_pubs/4

This Article is brought to you for free and open access by the Dept. of Physiology and Biophysics at VCU Scholars Compass. It has been accepted for inclusion in Physiology and Biophysics Publications by an authorized administrator of VCU Scholars Compass. For more information, please contact libcompass@vcu.edu.

POSTER PRESENTATION

Open Access

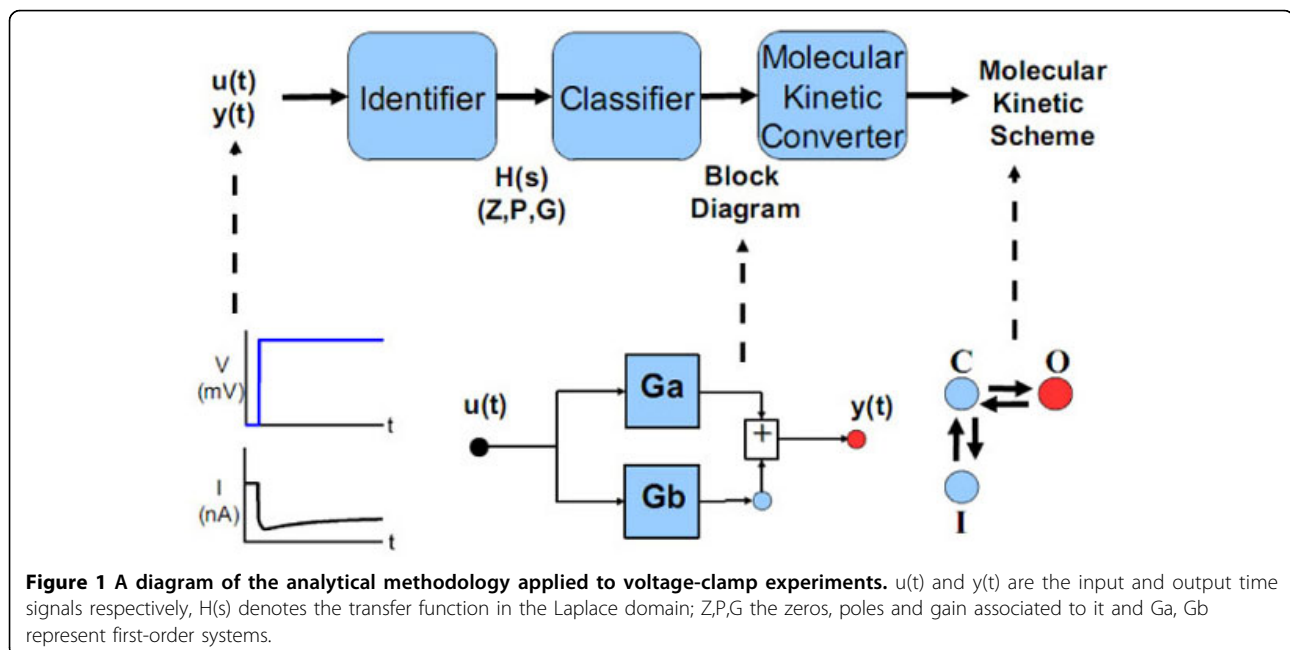
An analytical tool for elucidating ion-channel molecular mechanisms from macroscopic current traces

Miguel Fribourg^{1*}, Belén Galocha-Iragüen², Fernando Las Heras-Andrés³, Diomedes E Logothetis⁴, Vladimir Brezina¹

From Nineteenth Annual Computational Neuroscience Meeting: CNS*2010
San Antonio, TX, USA. 24-30 July 2010

Building models to describe the dynamics of macroscopic currents through ion channels has been the object of numerous studies in the literature with the aim of understanding ion-channel function. Following a perturbation, typically a step in voltage or ligand concentration, the response is formed by a combination of different processes such as activation or inactivation that pull the measured quantity (macroscopic

current) in the same or opposite directions with different strengths and different time constants. Although this dynamic response can be readily recorded in time, the relationship between the underlying processes cannot be easily teased apart without structural analysis or single-channel recordings. An example is the classic problem of determining from sodium-channel macroscopic traces whether the activation and inactivation



* Correspondence: miguel.fribourg@mssm.edu

¹Department of Neuroscience, Mount Sinai School of Medicine, New York, New York 10029, USA

processes occur in parallel or inactivation is dependent on previous activation.

We present a mathematical tool to analyze electrophysiological traces and derive molecular kinetic schemes that reflect the interplay between the different processes involved. This tool is based on system-identification algorithms and consists of three modules as summarized in Figure 1. The identifier takes the input and output signals in the time domain and applies autoregressive ARX methods to obtain a transfer function in the Laplace domain yielding a set of poles, zeros and gain that provide a unique signature of the channel response. The classifier capitalizes on this signature to reveal the block diagram associated with the interplay of the processes, that are here described as first order systems in classic engineering terms (a relaxation with one time constant and a gain for each process). Finally, the molecular kinetic converter uses the transfer function together with the block diagram and maps them into a molecular kinetic scheme, a description with states associated with a system of differential equations.

We show that we can apply this methodology to voltage-activated L-type calcium-channel traces from voltage-clamp experiments and derive a molecular kinetic scheme. Furthermore, we show how these molecular kinetic schemes can reveal the mechanism of action of drugs that act on calcium-channels. Our results explain the utility of this methodology for obtaining information on molecular mechanisms from electrophysiological traces. Moreover, they illustrate how the analysis could be generalized to recordings from other biological experiments.

Author details

¹Department of Neuroscience, Mount Sinai School of Medicine, New York, New York 10029, USA. ²Department of Systems Signals and Radiocommunications, Universidad Politécnica de Madrid, Madrid 28040, Spain. ³Department of Electrical Engineering, Universidad de Oviedo, Gijón 33203, Spain. ⁴Department of Physiology and Biophysics, Virginia Commonwealth University School of Medicine, Richmond, VA 23298, USA.

Published: 20 July 2010

doi:10.1186/1471-2202-11-S1-P149

Cite this article as: Fribourg *et al.*: An analytical tool for elucidating ion-channel molecular mechanisms from macroscopic current traces. *BMC Neuroscience* 2010 11(Suppl 1):P149.

Submit your next manuscript to BioMed Central and take full advantage of:

- Convenient online submission
- Thorough peer review
- No space constraints or color figure charges
- Immediate publication on acceptance
- Inclusion in PubMed, CAS, Scopus and Google Scholar
- Research which is freely available for redistribution

Submit your manuscript at
www.biomedcentral.com/submit

